

SK197 For remote controls



The unconventional joystick family

The SK 197 family of modular joysticks offers several options with different haptic characteristics to choose from. It's available in various configurations and has up to 3 axes depending on the handle.

In the core of the joystick is a well proven potentiometer. Our modular design solutions can deliver the most common communication signals and interfaces like analogue CANopen or J1939.

The multifunctional and flexibly design allows for the ability to fit well into a wide range of applications, especially for remote controls.

Please contact us, it will be our pleasure to suggest an individual joystick solution for your specific needs. Your custom solution is our standard.

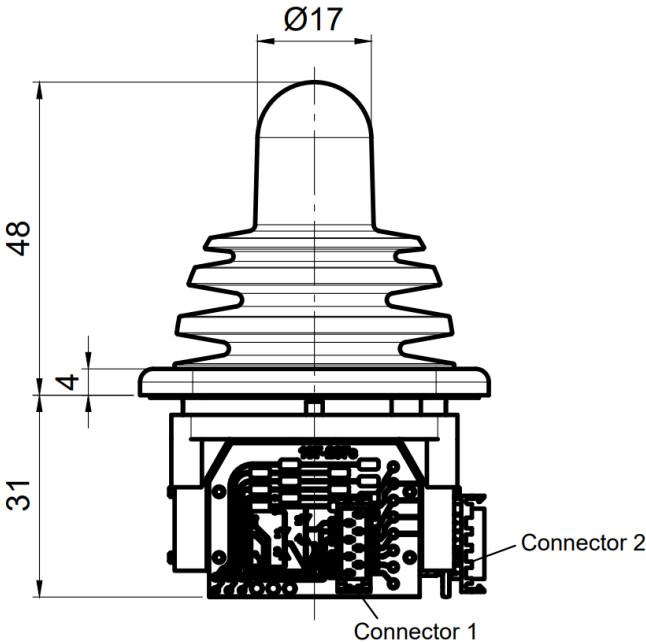
Technical specification

Axes	2 axes (option 1 or 3 axis)
Technology	Potentiometer
Resetting	Self-resetting
Steps	Up to 5 steps
Deflection Angle	+/- 26°
Cross guidance	Rigid/soft/none
Push button	Optional
Height above panel	48mm (1,89in)
Mounting depth	31mm (1.22in), below panel + cable
Panel cut-out	Ø 41 or 49mm (1.61in or 1.93in)
Bolt circle	53mm (2.09in) with 4 x M3 screws
Operating voltage	30V DC (standard)
Output signal	Analogue
Connection	MicroMatch
Durability	Up to 3 million full cycles
Operation temperature	-30° - +75°C (-22°F - +167°F)
Storage temperature	-40° - +85°C (-40°F - +185°F)
IP protection class	IP65 (mounted above panel with mounting ring)
Application examples	Especially designed for remote controls, vehicles, machinery, off-shore, mobile equipment,

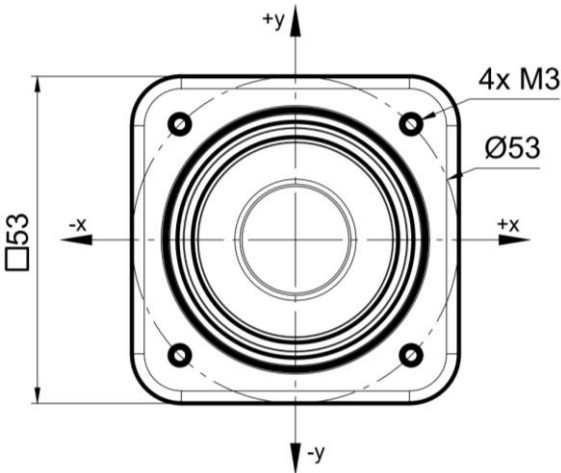


SK197 technical drawings

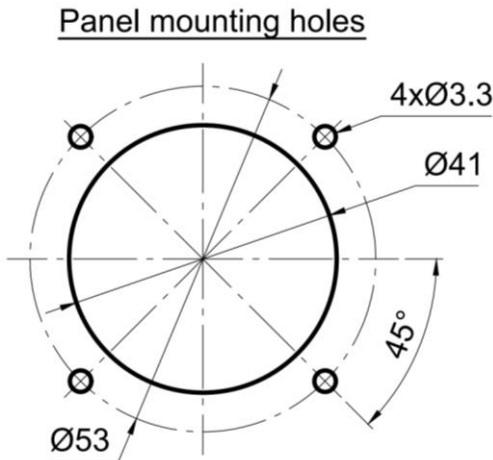
Side view



Top view



Panel cut-out



Mounting illustration with mounting ring



For more information please visit www.gengethoma.ch or contact us.