

SK220 The Mini-Joystick



Small – ergonomic – robust

The robust Mini-Joystick SK220 is designed with an ergonomic thumb-operated knob. Its technology is working on robust hall-effect sensors for contactless operations in X and Y directions. Redundancy is standard. A durable spring returns the joystick safely to the center position.

The Mini-Joysticks outstanding characteristics are high reliability, an extraordinary electromagnetic compatibility and a long life of over 5 million full cycles.

Typical applications for the Mini-Joystick are controllers, medical devices, remote controls and multi-function handles.

Please contact us, it will be our pleasure to suggest an individual joystick solution for your specific needs. Your solution is our standard.

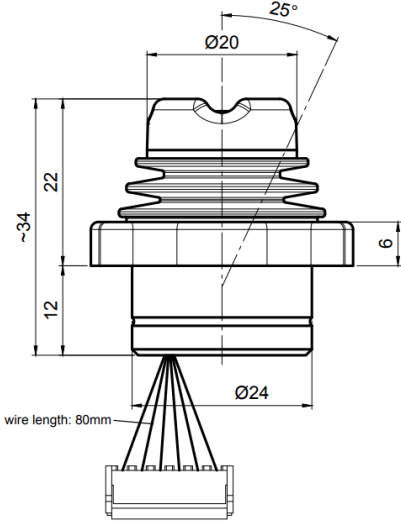
Technical specification

Axis	1 or 2 axis version
Spring return	Ergonomic and reliable central spring return
Deflection angle	25° per semiaxis
Haptics	Soft or rigid cross guidance
Installation	Top mounted
Height above panel	22mm (0.86in)
Mounting depth	12mm (0.47in)
Panel cut-out	Ø 25mm (0.98in)
Bolt circle	35mm (1.37in) with 4 x M2.5 or K25 screws
Technology	Redundant hall effect sensors
Operating voltage	5V DC
Output signal	0.5 – 4.5V DC (standard)
Connection	Cable 80mm (3.14in) with connector JST EHR 6 pins
Durability	Up to 5 Mio. full cycles
Operation temperature	-30° - +80°C
Storage temperature	-40° - +85°C
IP protection class	IP67 if mounted correctly
Magnet compatibility	6000A/m
Weight	30g
Operating force	1.6N
Max. allowed force	4Nm
Application examples	Medical devices, controllers, multi-function handles

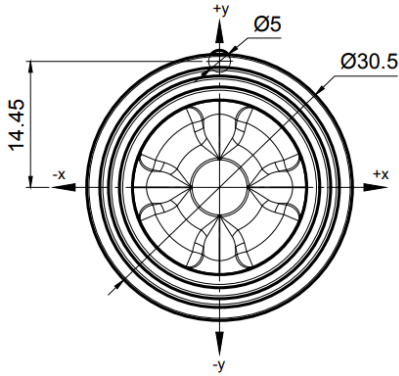


SK220 technical drawings

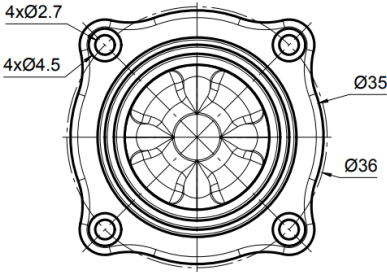
Dimensions side view



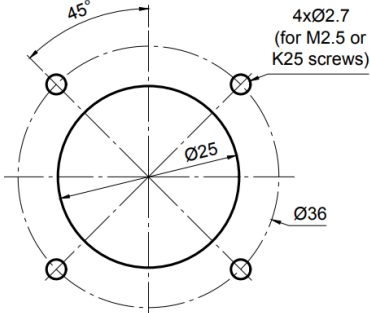
Top view without mounting flange



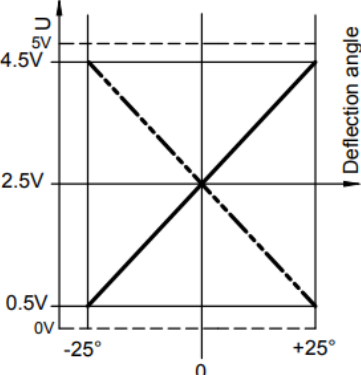
Dimensions plan view



Panel cut-out



Output diagram x1, x2, y1, y2



For more information please visit www.gengethoma.ch or contact us.

