

SK216 The tough one



The tough joystick

This joystick has been developed to perform in a rough environment but still gives out a smooth and stable output signal.

With two overlaying rubber boots, it is not only more than leak proof, it even allows for the upper boot to be exchanged while installed. It comes in different models and is configurable to your needs.

Please contact us, it will be our pleasure to suggest an individual joystick solution for your specific needs. Your solution is our standard.

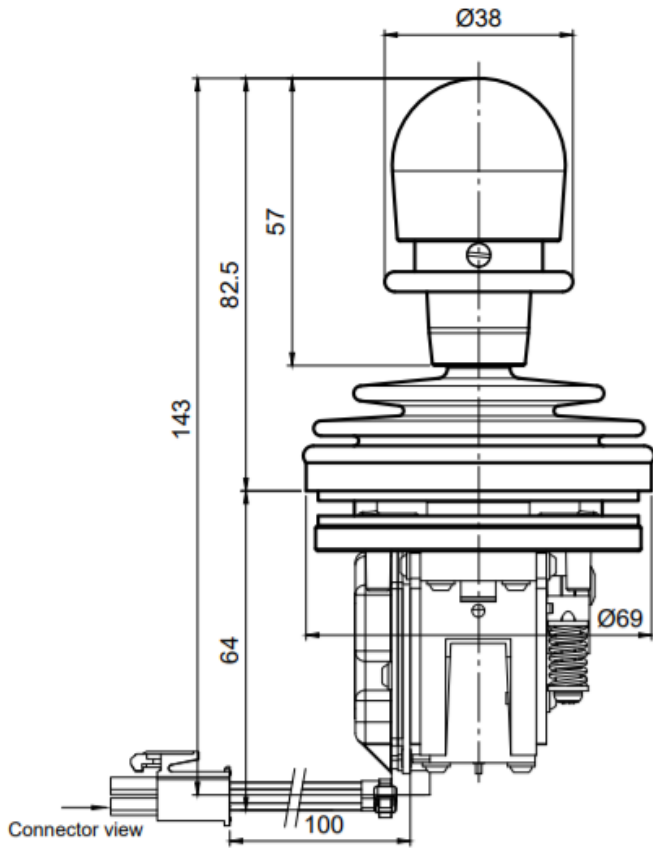
Technical specification

Axes	1 axis
Deflection Angle	53°
Resetting	Center-lock, friction brake
Push button	Optional
Options	Self-centering
Height above panel	83mm (~3.26in)
Mounting depth	62mm (~2.44in), below panel
Panel cut-out	Ø 51mm (~2.00in)
Bolt square	40mm (1.57in) with 4 x K30 self-tapping screws
Technology	Hall-effect sensors, ask for options
Operating voltage	5V DC, ask for options
Output signal	Analogue (standard), ask for options
Connection	MATE-N-LOK, ask for options
Durability	Up to 3 million full cycles
Operation temperature	-30° - +80°C (-22°F - +176°F)
Storage temperature	-40° - +85°C (-40°F - +185°F)
IP protection class	IP67 (above panel, 2 rubber boots)
Fire protection	UL94-V0
Operating force	Y axes 3 N breakout
Max. allowed force	> 250N
Application examples	Vehicles, machinery, off-shore

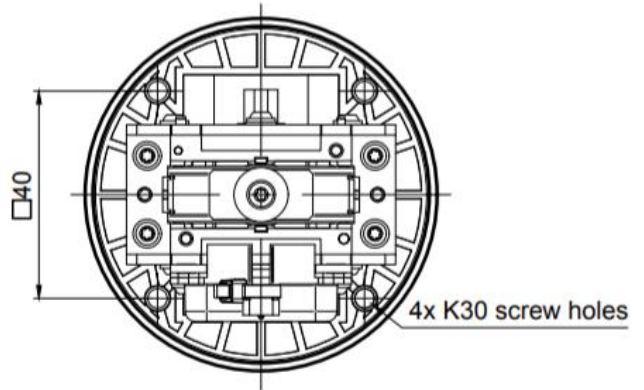


SK216 technical drawings

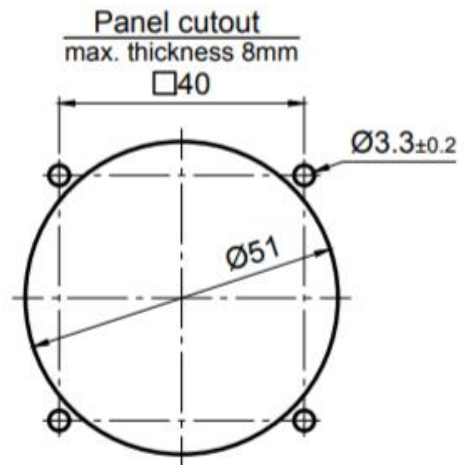
Side view



Fixation



Panel cut-out



For more information please visit www.gengethoma.ch or contact us.

