

## SK60 The all-rounder



### One fits most

The SK 60 base offers several options with different haptic characteristics to choose from. It's available in various configurations and has up to 3 axes depending on the handle.

In the core of the joystick is a well proven hall effect sensor. Our modular design solutions can deliver the most common communication signals and interfaces like analogue CANopen or J1939.

The multifunctional and flexibly design allows for the ability to fit well into a wide range of applications.

Please contact us, it will be our pleasure to suggest an individual joystick solution for your specific needs. Your solution is our standard.

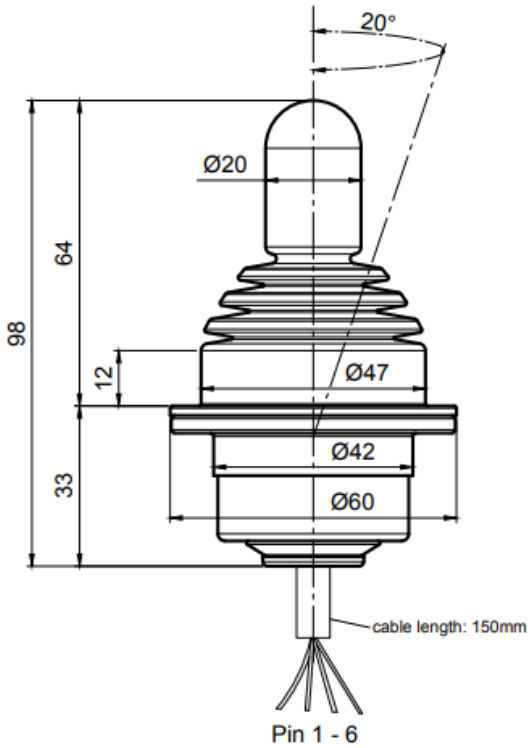
### Technical specification

Axes	2 axes (option 1 axis)
Deflection Angle	+/- 20°
Resetting	Self-resetting
Push button	Optional
Options	Connectors, push button, handles, rigide cross guidance
Height above panel	64mm (2.5in)
Mounting depth	34mm (1.3in), below panel + cable
Panel cut-out	Ø 43 or 49mm (1.69in or 1.93in)
Bolt circle	53mm (2.08in) with 4 x M3 screws
Technology	Hall-effect sensors
Operating voltage	5V DC(standard)
Output signal	Analogue / CANopen / J1939
Connection	Cable
Durability	Up to 3 million full cycles
Operation temperature	-30° - +80°C (-22°F - +176°F)
Storage temperature	-40° - +85°C (-40°F - +185°F)
IP protection class	IP67 (mounted above panel with mounting ring)
Fire protection	UL94-V0
Application examples	Vehicles, machinery, off-shore, mobile equipment

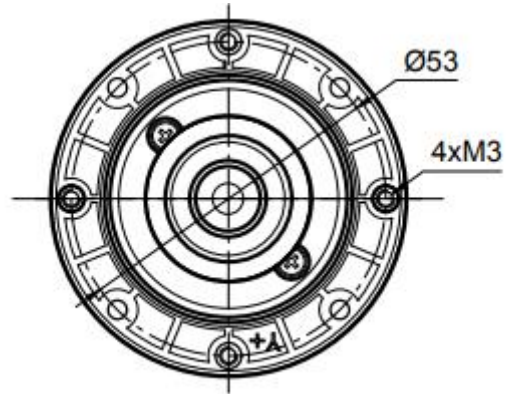


# SK60 technical drawings

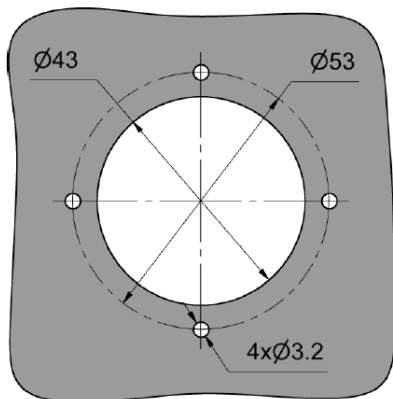
Side view



Bottom view



Panel cut-out



Mounting illustration with mounting ring



For more information please visit [www.gengethoma.ch](http://www.gengethoma.ch) or contact us.

